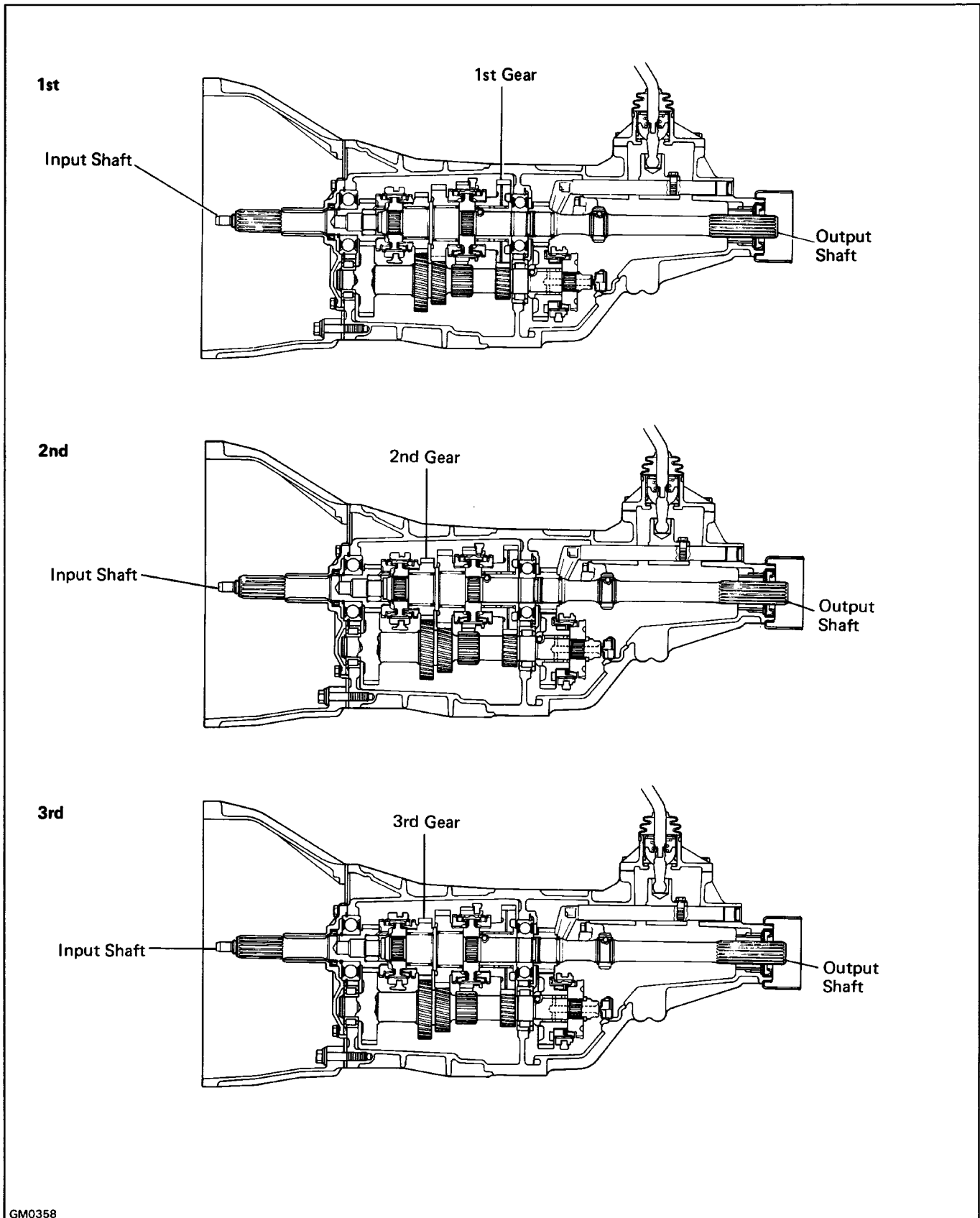


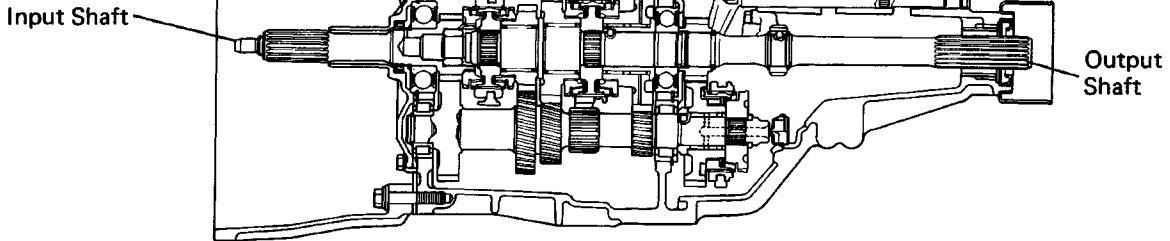
G58, R150 and R150F MANUAL TRANSMISSION

DESCRIPTION

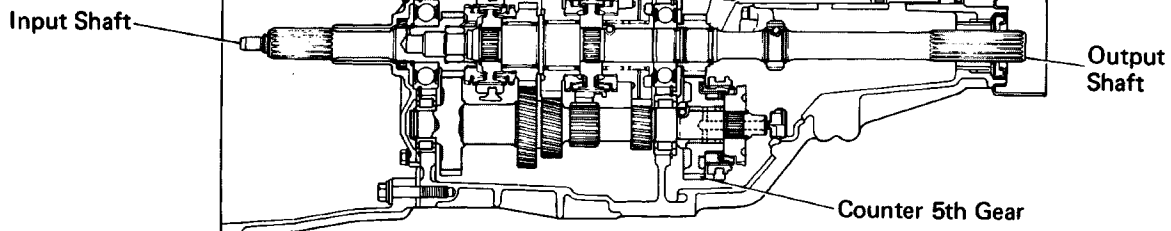
- Transmission types, G58, W55, W56, R150 and R1 50F are constant mesh synchronizers for forward gears and a sliding mesh reverse gear.
- The illustrations below show the engagements of transmission gears.



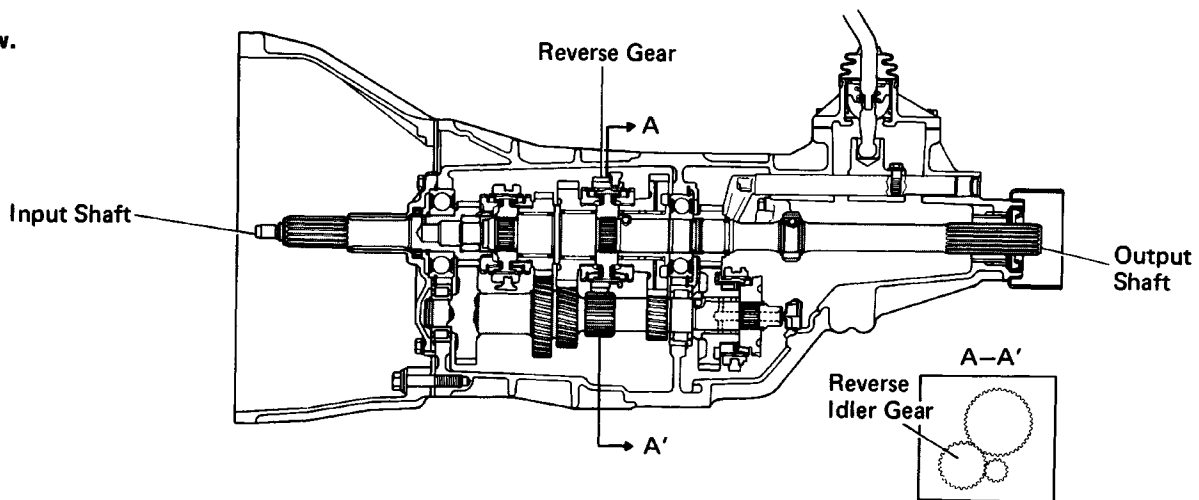
4th



5th
(5-Speed Only)



Rev.



- The above illustrations show the engagements of a 5-speed transmission.
- The above illustration shows a G type transmission. The configuration of each gear is slightly different to W and R type transmissions but the gear engagements are the same.