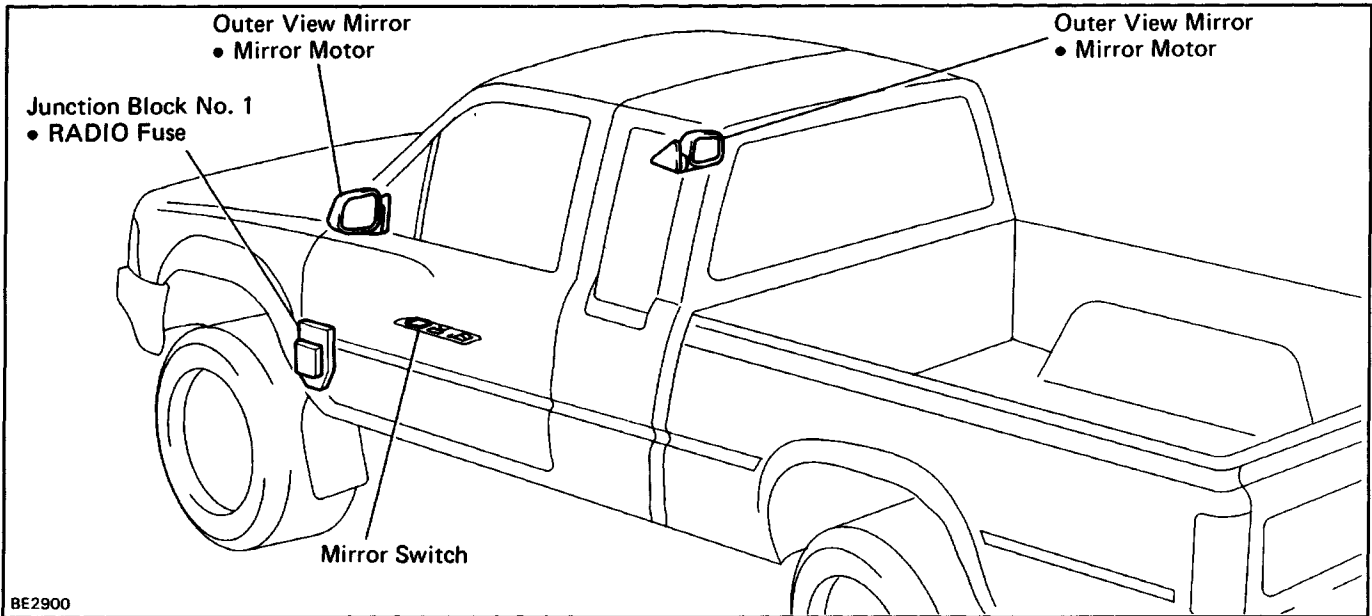
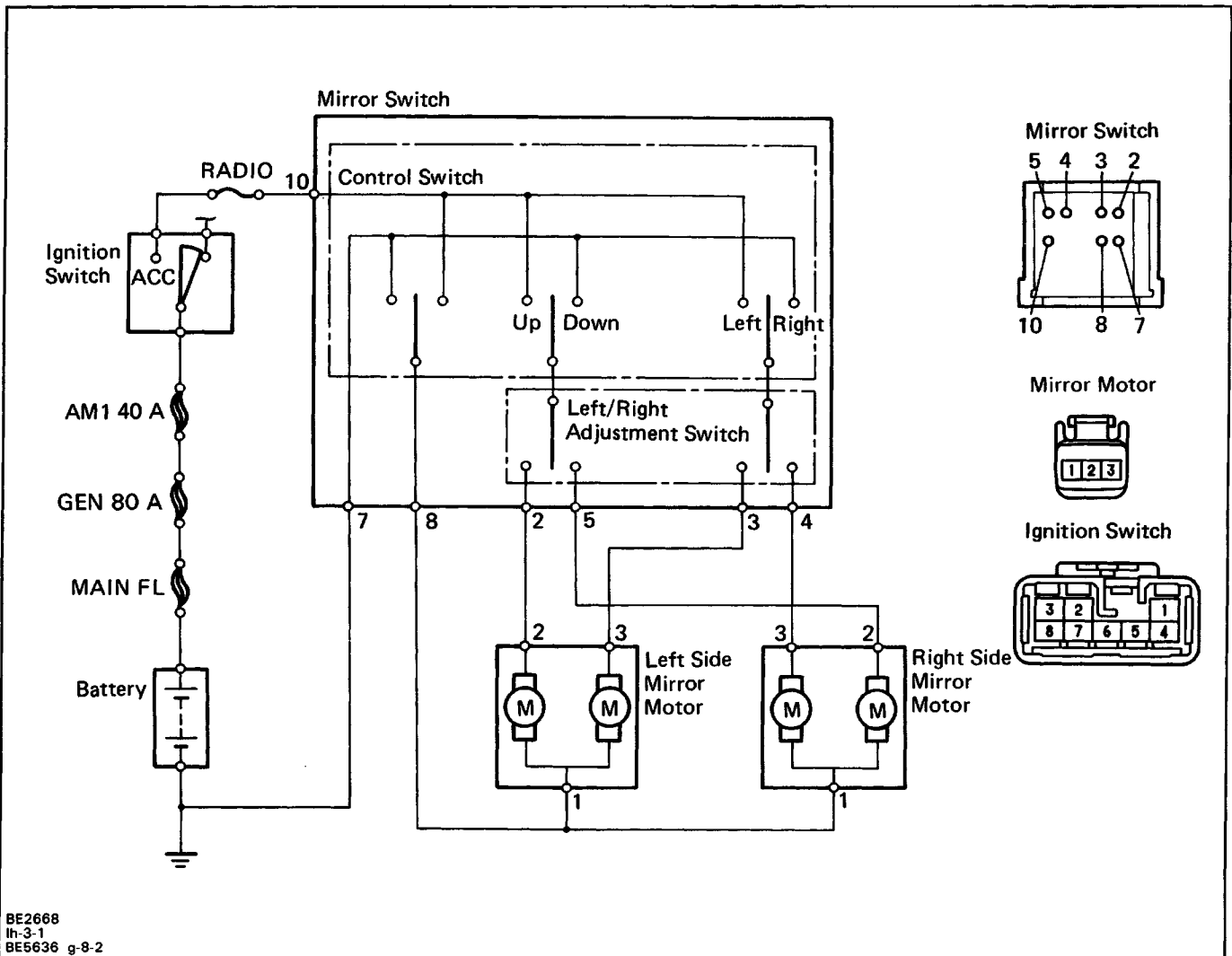


POWER MIRROR CONTROL SYSTEM Parts Location



BE2900

Wiring and Connector Diagrams



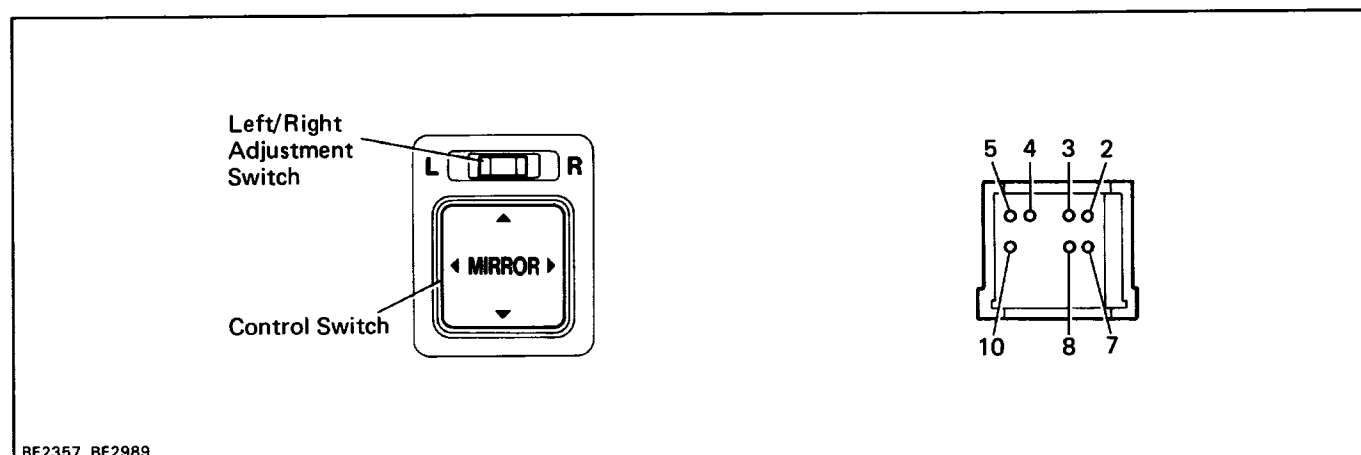
BE2668
lh-3-1
BE5636 g-8-2

Troubleshooting

Problem	Possible cause	Remedy	Page
Remote control mirror system does not operate	RADIO fuse blown Mirror switch faulty Mirror motor faulty Wiring or ground faulty	Replace fuse and check for short Check switch Check motor Repair as necessary	BE-3 BE-54 BE-55

Parts Inspection

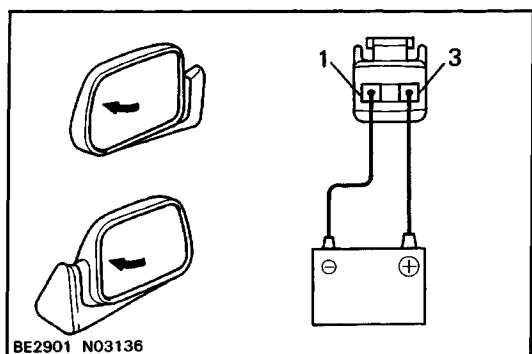
1. INSPECT MIRROR SWITCH (CONTINUITY)



BE2357 BE2989

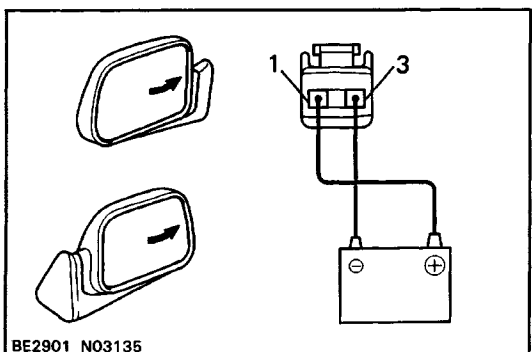
Left/Right adjustment switch position	LEFT SIDE					OFF			RIGHT SIDE				
Terminal	2	3	7	8	10	7	8	10	4	5	7	8	10
Control switch position													
OFF													
UP	○		○	○	○	○	○			○		○	○
DOWN	○		○	○	○		○	○		○	○	○	○
LEFT		○	○	○	○	○	○		○		○	○	○
RIGHT		○	○	○	○		○	○	○		○	○	○

If continuity is not as specified, replace the switch.

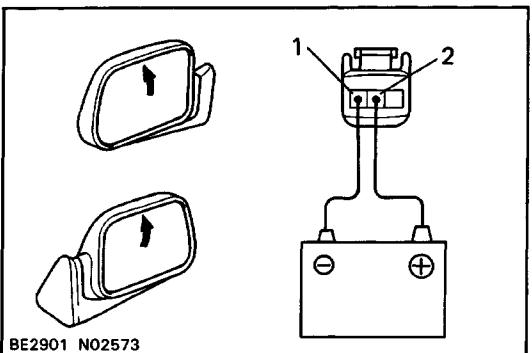


2. INSPECT MIRROR MOTOR

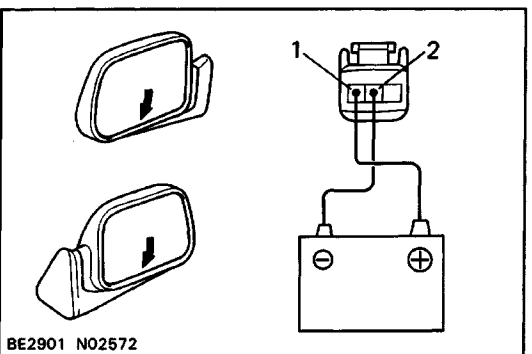
- (a) Connect the positive (+) lead from the battery to terminal 3 and negative (-) lead to terminal 1, check that the mirror turns to left side.



- (b) Reverse the polarity, check that the mirror turns to right side.



- (c) Connect the positive (+) lead from the battery to terminal 2 and the negative (-) lead to terminal 1, check that the mirror turns upward.



- (d) Reverse the polarity, check that the mirror turns downward.
If operation is not as specified, replace the mirror assembly.